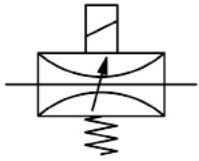




Description	Small proportional flow valve for regulating both air and non-corrosive gases. Voltage signal 10 V as standard or optionally 5 V or 20 V DC.				
Media	50 µm filtered compressed air or non-corrosive gases				
Operating pressure	see chart, max. 7 bar				
Electrical specification	command signal	max. voltage	resistance	current consumption	power consumption
	0 - 5 V DC	0 - 6.2 V DC	13 Ω	0 - 370 mA	1.9 W
	0 - 10 V DC	0 - 12.4 V DC	54 Ω	0 - 185 mA	1.9 W
	0 - 20 V DC	0 - 24.8 V DC	218 Ω	0 - 92 mA	1.9 W
Electrical connection	solder lug or terminal lug, 2.5 x 0.5 mm				
Mounting position	any				
Hysteresis	± 10% FS		Repeatability ± 3% FS		
Temperature range	0 °C to 60 °C / 32 °F to 140 °F				
Material	Body: nickel-plated brass Inner valve: stainless steel and brass		Elastomer: NBR/Buna-N, optionally FKM or EPDM		



DN 0.2 up to DN 1.5
0 - 5 / 10 / 20 V DC

Dimensions			Nominal size	K _v -value	Flow rate	Operating pressure	Connection thread	Order number
A	B	C	DN	(m³/h)	l/min*1	max. bar	M5	
mm	mm	mm						

Volume flow regulator M5								PVK
0-10 V DC, 2-port/2-way valve for compressed air or non corrosive gases, with terminal lug, brass, NBR/Buna-N								
20	40	5	0.2	0.03	0...3	1.7	M5	PVK-092
						3.5		PVK-093
						7.0		PVK-097
20	40	5	0.3	0.07	0...7	1.7	M5	PVK-132
						3.5		PVK-133
						7.0		PVK-137
20	40	5	0.6	0.24	0...24	1.7	M5	PVK-252
						3.5		PVK-253
						7.0		PVK-257
20	40	5	1.0	0.18	0...19	1.7	M5	PVK-402
						3.5		PVK-403
20	40	5	1.5	0.14	0...14	1.7	M5	PVK-602

Special options, add the appropriate letter

0 - 5 V	input signal max. 6,2 V,	0 - 370 mA,	13 Ω	PVK-. . . A
0 - 20 V	input signal max. 25 V,	0 - 92 mA,	218 Ω	PVK-. . . C
flange connection	for panel mounting			PVK-. . . F
FKM elastomer				PVK-. . . V
EPDM elastomer				PVK-. . . E



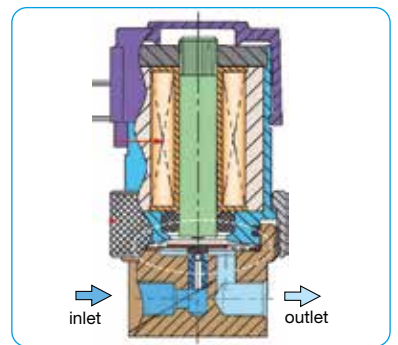
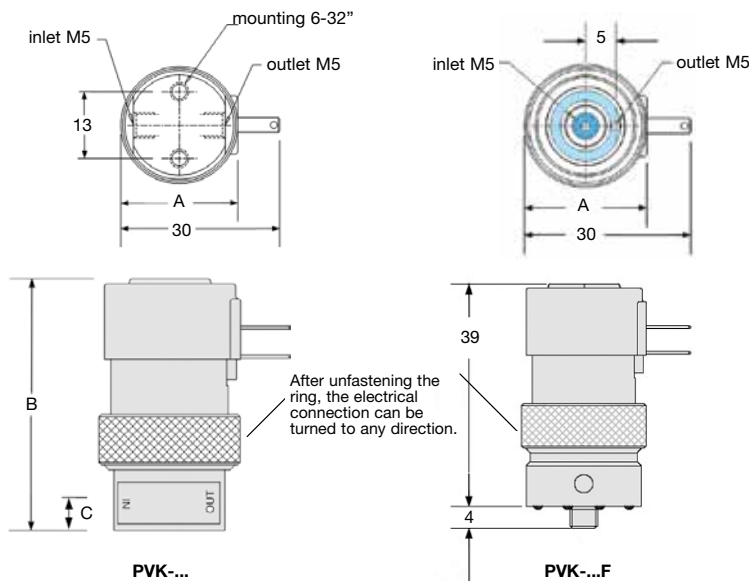
PVK-257
with M5 connection



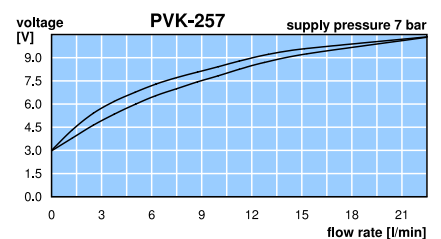
PVK-092AF
with flange connection

Accessories, enclosed

manifold block for valve with flange connection, for 2, 4 ... 12 valves



cross section



*1 at max. current consumption and max. operating pressure

* Product group

